

DongGuan City Cled Optoelectronic Co.Ltd

Address:2/F,No.1 Building,National High--tech Industrial Development

Tel:0086-769- 2307 6887 Fax:0086-769- 2307 6156 Email: sales@bestcled.com

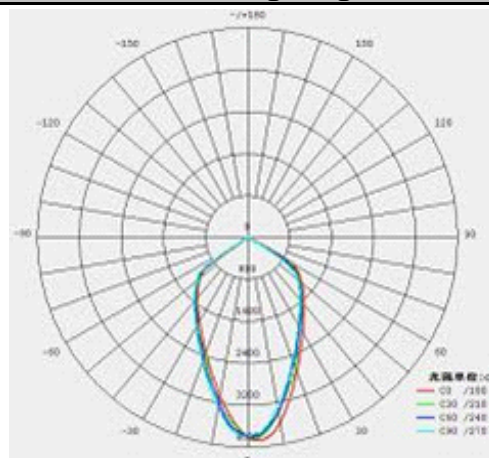
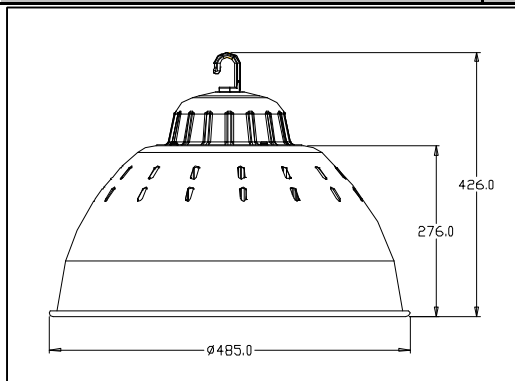
Issued by: BESTCLED

Web: www.bestcled.com

High bay light — 80W

Data sheet

Code	H-03
Item No.	CLED-LGK80-AC/220-D-Y-III-E-H02
Input Voltage	AC 170V~265V
Frequency	50/60HZ
Power factor(PF)	$\cong 0.95$
Power efficiency	$> 90\%$
LED power consumption	80W
Whole lamp consumption	87W
LED luminous efficiency	$\cong 100\text{lm/w}$
LED luminous flux	$\cong 6620\text{LM}$
Luminare efficiency (%)	$\cong 90\%$
Color-rendering index (CRI)	$R_a > 70$
Junction temperture (Tj)	$< 80^\circ\text{C}$
IP grade	IP41
Working condition	Temperature: $-30^\circ\text{C} \sim 50^\circ\text{C}$; Humidity: $10\% \sim 90\%\text{RH}$
Package size (unit: cm)	57.5 (L) \times 57.5(W) \times 51.5(H)
Net weight	6.3Kg
Product Size	lighting distribution curve



Photo

