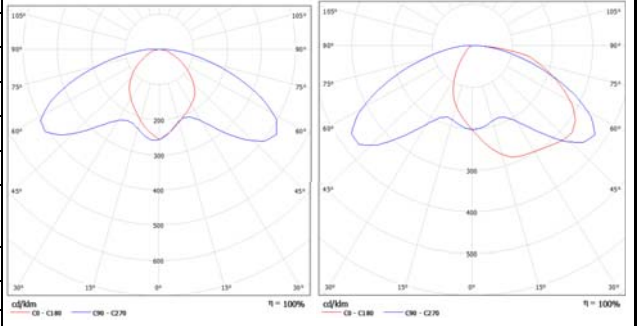
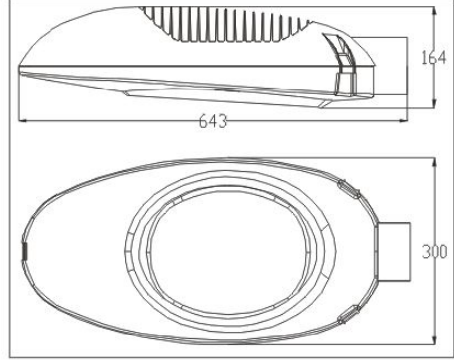


**SPECIFICATION OF CLED-LLD24-DC/24-G-J-II-C-A02**

<b>Code No.</b>	CLED-LLD24-DC/24-G-J-II-C-A02
<b>LED Power Consumption:</b>	24 W
<b>Total Power Consumption:</b>	26 W
<b>Input Voltage:</b>	12V/24V
<b>Working Voltage:</b>	32V
<b>Working Current:</b>	350mA
<b>Power Efficiency:</b>	>90%
<b>LED Luminous Efficiency:</b>	≥100lm/W
<b>LED Luminous Flux:</b>	2860 lm
<b>Luminaire Initial Lumen Output:</b>	2211 lm
<b>Luminaire Efficiency:</b>	≥90%
<b>CRI (Color Rendering Index) :</b>	>70Ra
<b>CCT(Correlated Color Temperature):</b>	3500K~6000K
<b>Junction Temp&gt;(Tj):</b>	<80℃
<b>IP (Ingress Protection) :</b>	IP65
<b>System resistance:</b>	<0.1Ω
<b>Working Condition:</b>	Temp.: -30℃~50℃ Humidity: 10%~90%
<b>Storage Temp.:</b>	-35℃~60℃
<b>Beam Angle:</b>	130°(H) x 80°(V)
<b>LED Chips:</b>	BRIDGELUX 45mil/50mil/60mil
<b>LED Driver:</b>	Meanwell
<b>Housing:</b>	Aluminum Alloy
<b>Reflector:</b>	High Pure and Reflective Efficiency Aluminum Alloy
<b>Cover:</b>	Tempered Glass
<b>Pipe Mounting Dismeter:</b>	1.77-2.56 in. pipe(45mm-65mm)
<b>Dimension(mm):</b>	643x300x164 (mm)
<b>Packing Size(mm):</b>	780x270x255 (mm)
<b>Weight(kg):</b>	7.8(kg)



<b>ADVANTAGE</b>	
<b>Warranty:</b>	5 years
<b>Energy Saving:</b>	Up to 60% compared to traditional HPS Lighting and MH
<b>Long life:</b>	LED Lamps last for more than 50,000 hrs (12 hrs/day for about 10 years)
<b>Heat Dissipation:</b>	Patented heat dissipation design, achieve optimum efficiency and long life-span
<b>Dimming Control:</b>	Wireless Intelligent Control System, Timmer, for secondary energy saving
<b>Solid-State:</b>	High-Shock, High-Vibration and Salt Spray Resistant
<b>Protective:</b>	Surge, High and Reverse Voltage Protective
<b>Instant-On:</b>	Turn on right away, without delay in Re-Switch on
<b>Environment Friendly:</b>	Without Harmful Materials of Lead and Mercury Halogen
<b>Selfcleaning</b>	Special patent design with selfcleaning function to ensure good heat dissipation and long life-span
<b>Low Maintenance Cost:</b>	Long life-span and selfcleaning function to ensure None or Low maintenance cost

**Application**  
Local Road, Rural Road, Residential Road and Parking Lot